



### Technical Data

For detailed data and product description refer to the data sheets at [www.pepperl-fuchs.com](http://www.pepperl-fuchs.com)

#### General Data

|                                   |                                     |
|-----------------------------------|-------------------------------------|
| Installation                      | flush                               |
| Switching element function        | NO/NC programmable                  |
| Output polarity                   | AS-Interface                        |
| Slave type                        | A/B slave                           |
| AS-Interface specification        | V3.0                                |
| Operating voltage                 | 26.5 ... 31.9 V via AS-i bus system |
| No-load supply current            | ≤ 25 mA                             |
| Reverse polarity protection       | ✓                                   |
| Indication of the switching state | dual-LED, yellow                    |
| Fault indication                  | dual-LED, red                       |
| Ambient temperature               | -25 ... 70 °C (-13 ... 158 °F)      |
| Protection degree                 | IP67                                |
| Connection type                   | Device connector M12 x 1 , 4-pin    |



### Properties

- Ø12 mm, Ø18 mm and Ø30 mm housing versions
- 4 mm, 5 mm, 8 mm and 15 mm flush mountable versions
- AS interface
- Connector version

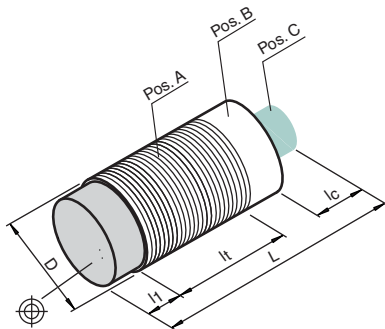
| Model Number             |                                   |                      |                    |                     |
|--------------------------|-----------------------------------|----------------------|--------------------|---------------------|
|                          | NCB4-12GM60-B3B-V1                | NCB5-18GM60-B3B-V1   | NBB8-18GM60-B3B-V1 | NBB15-30GM60-B3B-V1 |
| Rated operating distance | 4 mm                              | 5 mm                 | 8 mm               | 15 mm               |
| Switching frequency      | 0 ... 100 Hz                      | 0 ... 200 Hz         | 0 ... 500 Hz       |                     |
| Housing material         | Stainless steel 1.4305 / AISI 303 | brass, nickel-plated |                    |                     |

#### Approvals and Certificates

|              |  |   |   |   |   |
|--------------|--|---|---|---|---|
| UL approval  | cULus Listed, General Purpose  | • | • | • | • |
| CSA approval | cCSAus Listed, General Purpose   | • | • | • | • |
| CCC approval | Products with a maximum operating voltage of ≤36 V do not bear a CCC marking because they do not require approval. |   |   |   |   |

#### Dimensions

|                           |    |        |        |
|---------------------------|----|--------|--------|
| Length L [mm]             | 75 | 70     | 75     |
| Diameter D [mm]           | 12 | 18     | 30     |
| Thread length $l_t$ [mm]  | 60 | 44     | 60     |
| Cap length $l_1$ [mm]     |    | 0      |        |
| Connector area $l_c$ [mm] | 15 | 10     | 15     |
| LED position              |    | Pos. B | Pos. C |



### Accessories This and more accessories can be found in chapter 10

See pages from 972 ... for cordsets See pages 1068 ... for mounting aids

- BF 12, BF 18, BF 30** Mounting flange
- EXG-12, EXG-18, EXG-30** Quick mounting bracket with dead stop
- V1-G-BK0,3M-PUR-U-V1-G** Connection cable, M12 to M12, PUR cable, 4-pin
- V1-G-BK** 4-pin, M12 female field-attachable connector
- V1-G-BK1M-PUR-U-V1-G** Connection cable, M12 to M12, PUR cable, 4-pin
- V1-W-BK** 4-pin, M12 female field-attachable connector

### Electrical Connection



NCB4-12GM60-B3B-V1  
NCB5-18GM60-B3B-V1  
NBB8-18GM60-B3B-V1  
NBB15-30GM60-B3B-V1

